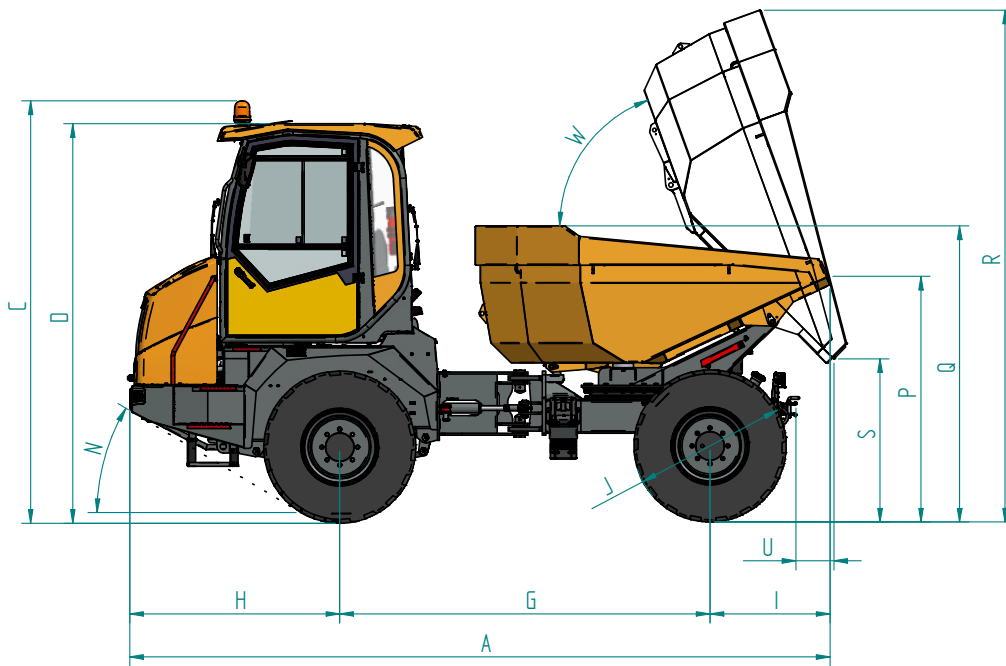


BERGMANN II C 810s



Dimensions

A	5,382 mm
B	2,420 mm
C	3,426 mm
D	3,070 mm
G	2,846 mm
H	1,614 mm
I	922 mm
J	1,170 mm
L	500 mm
M	392 mm
N	31°
P	1,888 mm
Q	2,276 mm
R	3,934 mm
S	1,255 mm
U	292 mm
V	160 mm
W	70°

Weight

Unladen weight	6,250 kg
Payload	9,000 kg

Dumper box

Dumper box content level	3.6 m ³
Dumper box content heaped	4.6 m ³

All figures, dimensions and weights do not always represent the actual series equipment and are therefore subject to tolerance deviations and not binding. Subject to technical modifications.

BERGMANN

BERGMANN II C 810

Technical data

Highlights

- High driver comfort due to spring suspension axle
- Full cabin with revolving seat for fast work in both driving directions
- Mechanical standstill transmission for powerful driving over all terrains
- Climb-in outside the danger area
- Tippable cabin for good maintenance accessibility

Engine

Water-cooled 4-cylinder Deutz diesel engine	
Engine power	75 kW at 2,200 rpm
Max. torque	410 Nm
Exhaust emission standard	Exhaust stage 5

Drive unit

Hydrostatic all-wheel drive with automotive control	
Drive stage 1-1	0–3 km/h
Drive stage 1-2	0–10 km/h
Drive stage 2-1	0–9 km/h
Drive stage 2-2	0–28 km/h

Steering

Hydraulic articulated steering active via priority valve; articulation: 30° left & right

Axles/brakes

- Front axle with leaf spring suspension, rigid rear axle
- Maintenance-free oil batch multi-disc brakes with automatic readjustment in the front axle
- Hydraulically actuated parking brake via cardan shaft acting on the front and rear axles

Standard tires

All power wheels 500/60 R20 AS tread

Filling quantities

Fuel	68 l
Hydraulic oil	52 l

Electrical system

- 12 V electrical system with main switch
- All vehicle-specific operating data viewable on the vehicle display

Standard equipment

- Adjustable hydraulic swing seat
- Instrument panel with ignition lock
- Rear towing hitch
- Lighting system according to road traffic licensing regulations
- Revolving seat
- CE declaration of conformity
- User manual

All figures, dimensions and weights do not always represent the actual series equipment and are therefore subject to tolerance deviations and not binding. Subject to technical modifications.