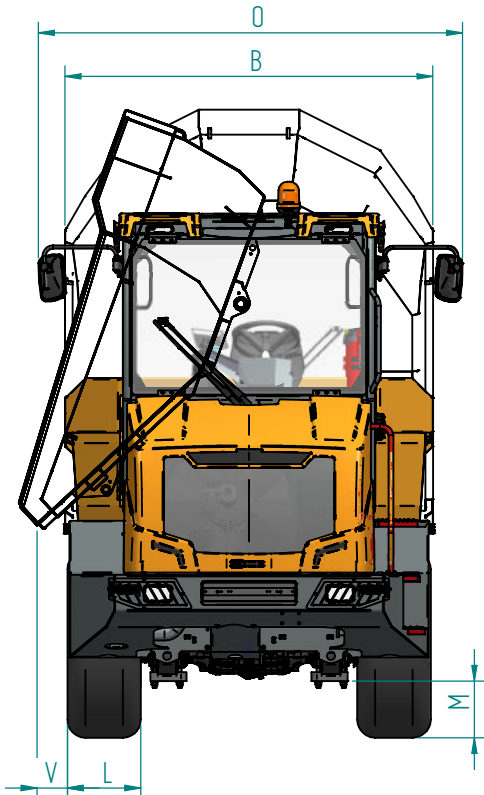
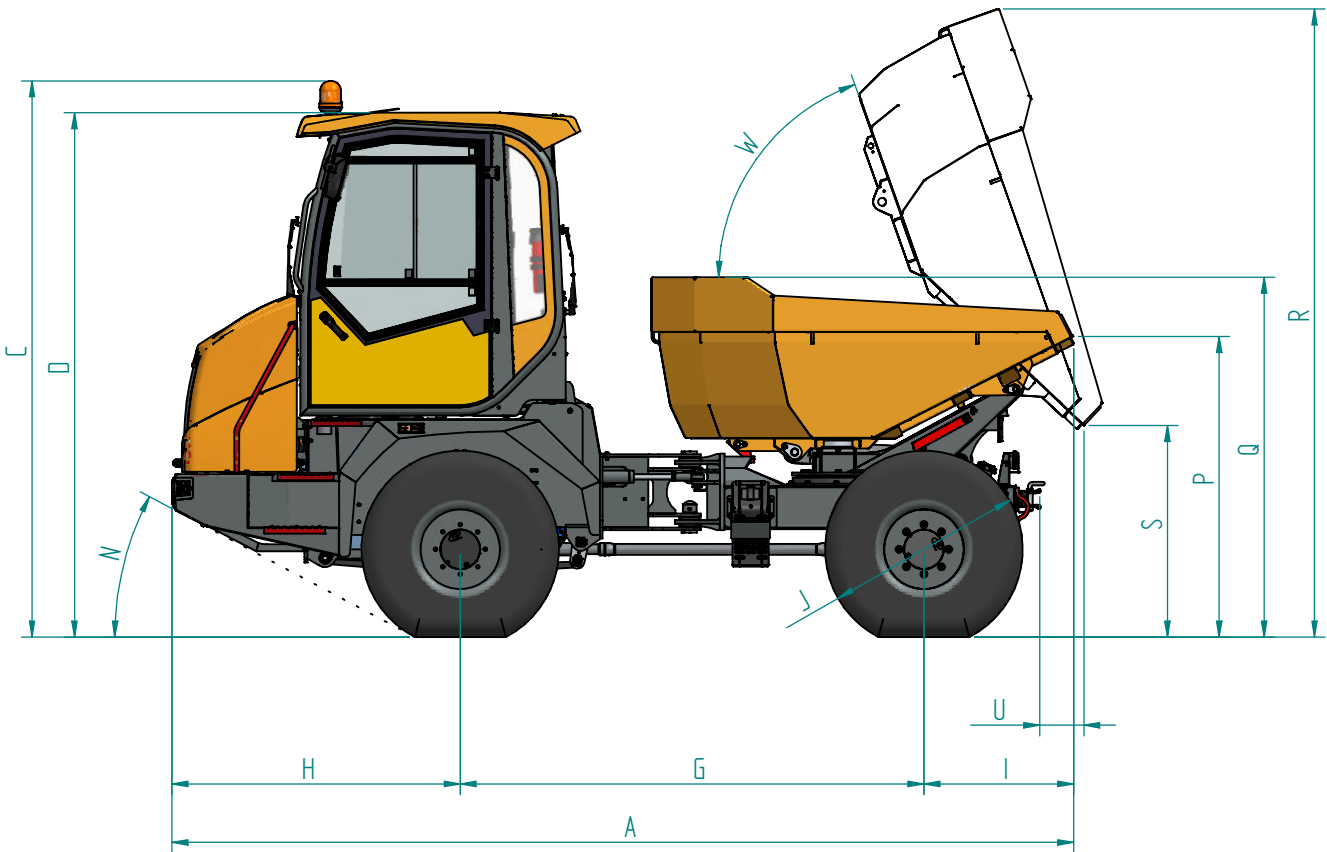


BERGMANN II C 807



Dimensions

A	5,008 mm
B	2,043 mm
C	3,088 mm
D	2912 mm
G	2,575 mm
H	1,601 mm
I	832 mm
J	1,097 mm
L	408 mm
M	314 mm
N	28°
O	2,355 mm
P	1,669 mm
Q	1,997 mm
R	3,488 mm
S	1,175 mm
U	246 mm
V	168 mm
W	70°

Weight

Unladen weight	4,850 kg
Payload	6,000 kg

Dumper box

Dumper box content level	2.5 m ³
Dumper box content heaped	3.6 m ³

All figures, dimensions and weights do not always represent the actual series equipment and are therefore subject to tolerance deviations and not binding. Subject to technical modifications.

BERGMANN

BERGMANN II C 807

Technical data

Highlights

- High transport performance due to suspended front axle
- Full cabin with revolving seat for fast work in both directions
- Exhaust gas level 5 without AdBlue
- Exit outside the danger area
- Tippable cabin for good maintenance accessibility

Engine

Water-cooled 4-cylinder Deutz diesel engine	
Engine power	55 kW
Max. torque	300 Nm at 2,200 rpm
Exhaust emission standard	Exhaust stage 5

Drive unit

Hydrostatic all-wheel drive with automotive control	
Drive stage I	0-8 km/h
Drive stage II	0-28 km/h

Steering

Hydraulic articulated steering active via priority valve; articulation: 34° left and right

Axles/brakes

- Front axle with leaf spring suspension, rear axle rigid
- Maintenance-free oil bath multi-disc brakes with automatic readjustment in the front axle
- Hydraulically actuated parking brake via prop shaft acting on the front and rear axles

Standard tires

All power wheels 405/70 R20 AS tread

Filling quantities

Fuel	54 L
Hydraulic oil	43.5 L

Electrical system

- 12 V electrical system with main switch
- All vehicle-specific data can be read on the vehicle display

Standard equipment

- Adjustable hydraulic swing seat
- Instrument panel with ignition lock
- Rear towing hitch
- Lighting system according to road traffic licensing regulations
- Revolving seat
- CE declaration of conformity
- Operating instructions/Spare parts list

All figures, dimensions and weights do not always represent the actual series equipment and are therefore subject to tolerance deviations and not binding. Subject to technical modifications.

